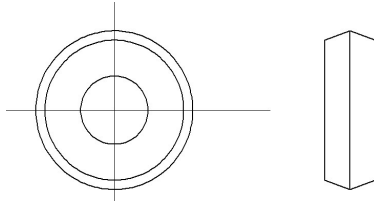


Complete Carbide Scoring System

- Tungsten Carbide Scoring Wheel
- Precision-Ground Scoring Tip
- Tungsten Carbide Axle
- Hardened Steel Insert
- Precision-Ground Slot
- Available Pre-Loaded for Easy Implementation

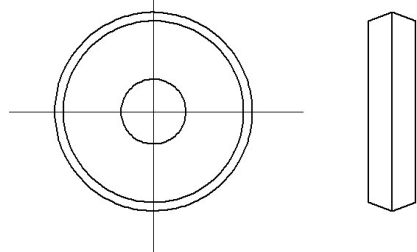
Specs for All Wheels:

Dimensions:	Inches / Millimeters
Wheel Caliper:	0.042 / 1.067
Wheel Angle:	Stock Angles ± 0.5 Degrees
Cutting Edge:	0.0005 / 0.013



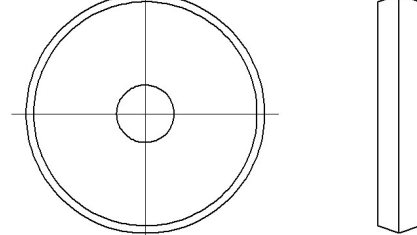
W125

Material:	Tungsten Carbide
Inside Diameter:	0.057 / 1.447
Outside Diameter:	0.128 / 3.251



W532

Material:	Tungsten Carbide
Inside Diameter:	0.057 / 1.447
Outside Diameter:	0.168 / 4.267



W732

Material:	Tungsten Carbide
Inside Diameter:	0.057 / 1.447
Outside Diameter:	0.228 / 5.791



MacInnes Tool Corporation

1700 Hudson Avenue
 Rochester, NY 14617 USA
 t 585.467.1920
 f 585.467.7807
 www.macto.com

