



Black Diamond™

Diamond Scoring System

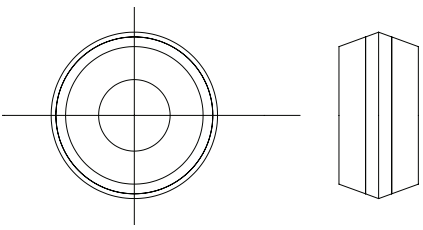


Complete Diamond Scoring System

- Polycrystalline Diamond Scoring Tip
- Carbide Wear Surfaces
- Traditional Carbide Axle
- Traditional Hardened Steel Insert
- Pre-Loaded for Easy Implementation

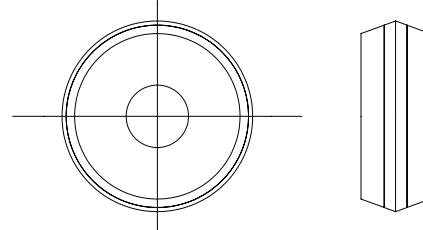
Specs for All Wheels:

Dimensions:	Inches / Millimeters
Wheel Caliper:	0.061 / 1.549
Wheel Angle:	Stock Angles ± 0.5 Degrees
Cutting Edge:	0.0005 / 0.013



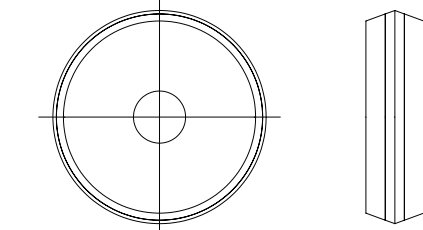
D125

Material:	Polycrystalline Diamond and Carbide
Inside Diameter:	0.057 / 1.447
Outside Diameter:	0.128 / 3.251



D532

Material:	Polycrystalline Diamond and Carbide
Inside Diameter:	0.057 / 1.447
Outside Diameter:	0.168 / 4.267



D732

Material:	Polycrystalline Diamond and Carbide
Inside Diameter:	0.057 / 1.447
Outside Diameter:	0.228 / 5.791



MacInnes Tool Corporation

1700 Hudson Avenue
 Rochester, NY 14617 USA
 t 585.467.1920
 f 585.467.7807
 www.macto.com

